

# Carony Classic

Transfers a person between wheelchair and car

Carony 12"



Thank you for choosing a

# Carony from BraunAbility!

The following manual is an important part of the product, providing you with information on how to achieve maximum performance and safe operation. Keep the manual in a safe place so that you can refer to it when necessary.

If you have any questions about your adaptation, please contact your installation engineer. If you want to know more about us and our range of car adaptation solutions visit [www.braunability.eu](http://www.braunability.eu).

Once again, thank you for placing your confidence in our products!



Safety	20
Operation	22
	23
	24
	26
Care instructions	28
Introduction for users	30

“Product certificate” at the end of the manual.

## Safety



*Carony is tested and approved for a maximum load of 100 kg.*



*For ultimate balance, the Carony must, when being pushed, have the height adjustment set on lowest level. To improve security it is recommended that the Carony is equipped with tilt protection.*



*The brake system shall only be used as a parking brake, and not for braking the wheelchair in motion.*



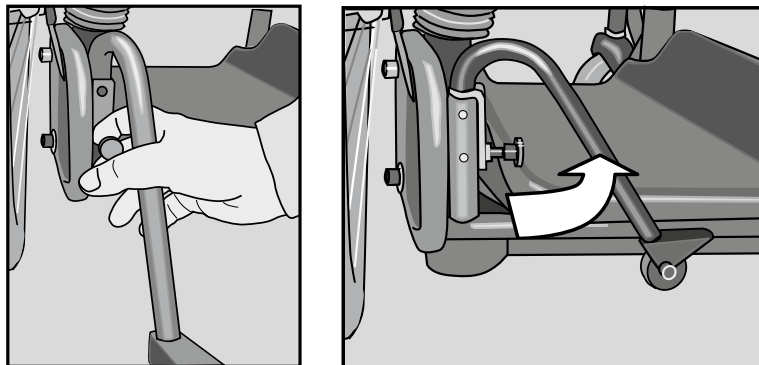
*It is important never to leave the passenger in the wheelchair without applying the parking brakes.*



*The wheelchair should not be used in slopes where the person driving it risks to loose control.*

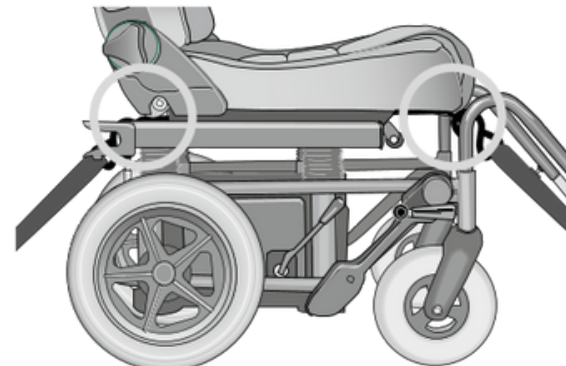


*If the Carony wheelchair is equipped with support belt, this may not be used as substitute for the vehicle seatbelt. The original seat belt of the vehicle shall always be used!*



To fold in or remove the Anti-tip protection, pull out the release button.

Use the back edge of the wheel unit as tread rail when tipping the wheelchair over sidewalk edges etc.



When transported in a vehicle without the Carony swivel base, the Carony must have the Transportation tie down mounted, in which the securing belts are fastened. The Carony Transportation tie down is available as option.

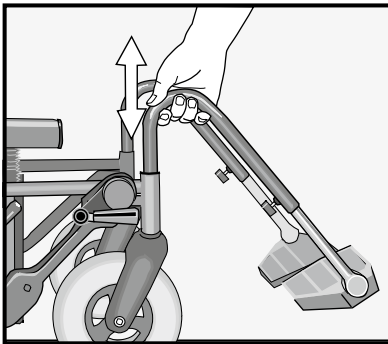
# Operation

## Adjustments

### Legrests

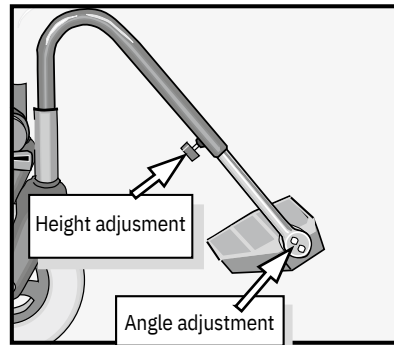
Mount the legrest into the legrest anchorage. There is a fixing track at the bottom of the anchorage pipe, which keeps the legrests in forward position. To turn the legrests outwards You need to first lift slightly upwards.

**N.B!** Do not lift the wheelchair by holding onto the legrests!



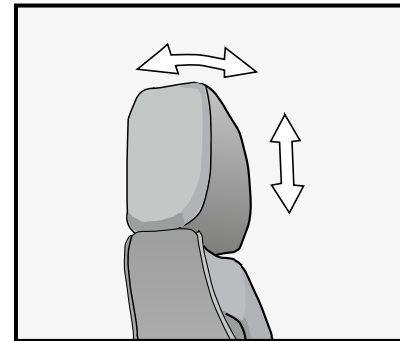
**Height adjustment /**  
Unscrew the height adjustment to adjust the position of the foot plate.

**Angle adjustment /**  
Adjust the angle by loosening the socket head screws, using an 5 mm.



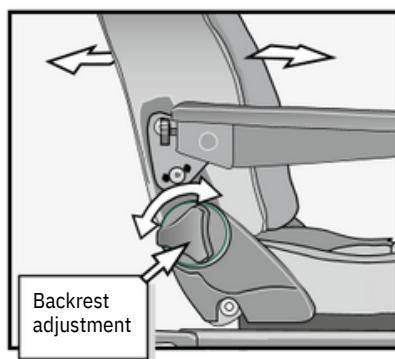
### Headrest

Push the headrest by hand, to adjust it forward or backward. The height adjustment is done by pulling upwards, or pushing downwards.



## Backrest

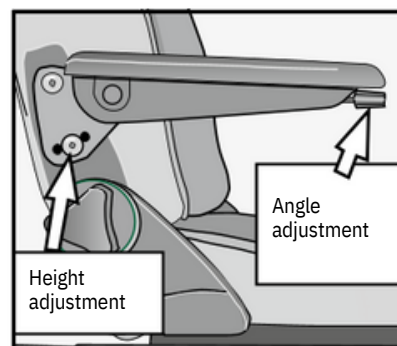
The adjustment of backrest is limited to avoid risk for tilting. Adjust the backrest by turning the control, placed on the right hand side of the seat. Turn clockwise for raising the seat forward and counter-clockwise for leaning backwards.



## Armrests

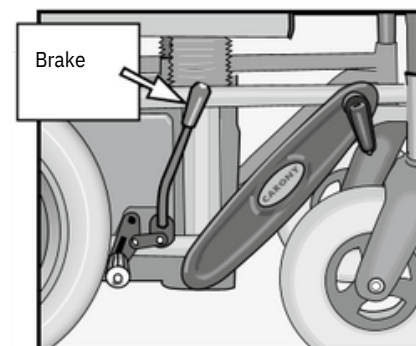
**Height adjustment /**  
Move the screw for the height adjustment to a suitable hole.

**Angle adjustment /**  
The screw for angle adjustment is placed on the front edge of the arm rest.



## Brakes

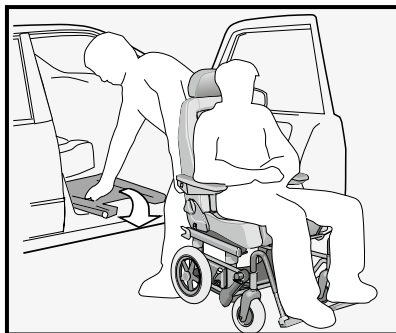
Apply the brakes on both wheels by pressing down the brake lever. Lift the lever to release the brakes. The brake system is only intended as a parking brake and not for braking the wheelchair in motion.



## From the Carony to the vehicle

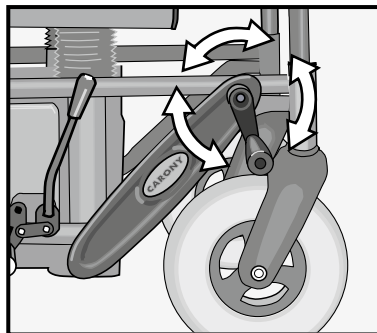
### 1. Preparing

Open the door and swivel the Turnout, or Turny, fully outwards.



### 2. Height adjustment

Adjust to the correct docking height with the crank on the Carony, or with the Turny.

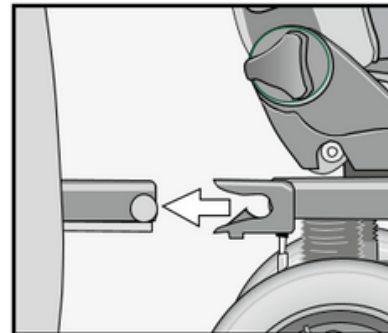


### 3. Docking onto the Carony

For a Turnout, Turny HD / Orbit  
- brake the Carony after docking!

For a Turny Evo  
- do not brake the Carony after docking!

Pull on the Carony to ensure that the units have locked firmly into one another.





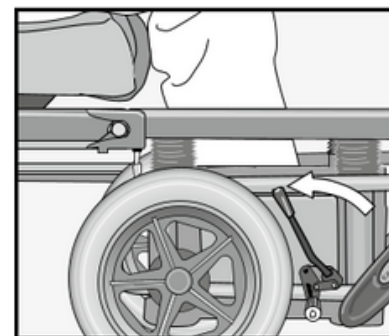
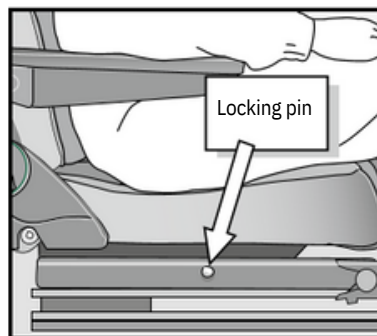
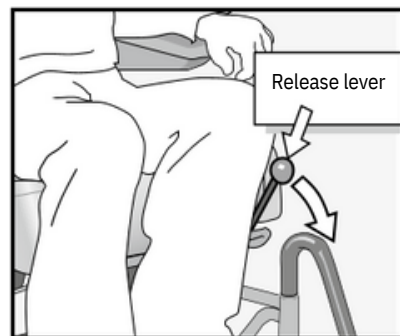
#### 4. Sliding the seat in

Push the release lever down and slide the seat into the car. Allow the user's feet to slide over the Carony's chassis, protecting the head from the door post.

The weight displacement means that the product into which the Carony docks and the Carony are no longer on the same level. Correct this by lowering the Carony, or raising the Turny.



*Make sure that the locking pins have locked firmly on both sides of the Turnout, or Turny.*



#### 5. Releasing the Carony

Push the brake lever back fully and pull the units apart. Rotate the user into the car using the Turnout or Turny.

Remove the foot supports and fold the anti-tip devices in. Bend your knees when lifting to avoid back strain. Secure firmly during transport.

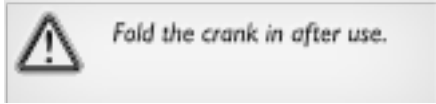
## From the vehicle to the Carony

### 1. Preparing

Open the door and swivel the Turnout, or Turny, fully outwards. Move the Carony forward.

### 2. Height adjustment

Adjust to the correct docking height with the crank on the Carony, or with the Turny.

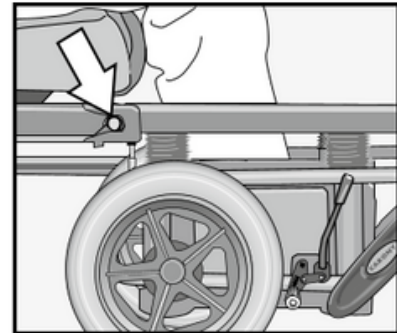
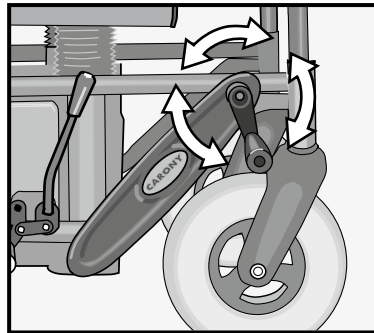
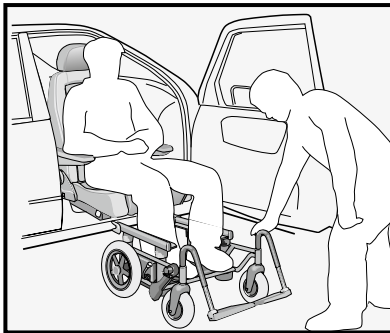


### 3. Docking the Carony

For a Turnout, Turny HD / Orbit  
- brake the Carony after docking!

For a Turny Evo  
- do not brake the Carony after docking!

Pull on the Carony to ensure that the units have locked firmly into one another.



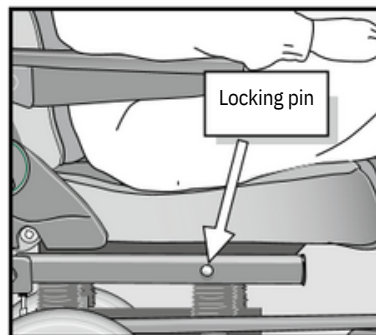
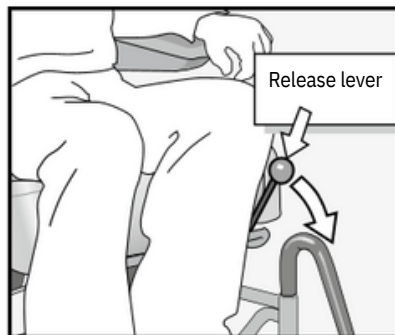
#### 4. Pulling out the seat

Push the release lever down and pull the seat out to the Carony. Allow the user's feet to slide over the Carony's chassis, protecting the head from the door post.

The weight displacement means that the product into which the Carony docks and the Carony are no longer on the same level. Correct this by raising the Carony, or lowering the Turny.



*Ensure that the locking pins have locked firmly on both sides of the Carony.*

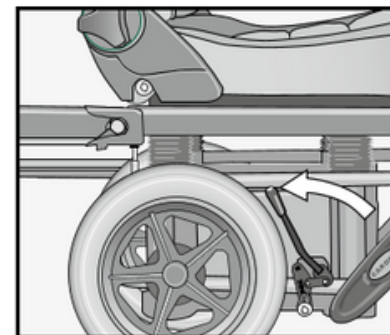


#### 5. Releasing the Carony

Push the brake lever back fully and pull the units apart.



*With an adjustable Carony, crank the seat down to the lowest position to minimise the risk of tipping. Fold the crank in after use.*



## Care instructions

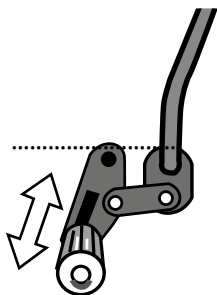
When necessary .....

Use a moist towel with some washing-up liquid to whipe off dust and dirt from frame and plastic parts. For upholstery use vacuumcleaner and upholstery cleaner. The seat cushion is detachable and can be machine washed in 40 degrees C.

*Note! Do not dry in tumble-drier or drying cupboard!*

Normal tyre pressure /  
12" rear wheel, 2,1 bar  
8" front wheel, 2,5 bar

Adjust the brakes.



Always contact your dealer for disassembly.

The following dimensions apply to the chassis with wheels.  
No anti-tip device and footrest are included.



Any maintenance, modifications or repairs to the Carony may only be performed by a qualified installation technician.

### Product data

Length

.....6  
70 mm Width

.....  
610 mm Height, adjustable Carony

.....380 - 480 mm Height, Carony

fixed .....380, 430, 480 mm Max user

weight .....100

Please contact your installation engineer if you require further assistance or need to ask questions about warranty. We recommend keeping the following information to hand at all times /

Contact details for the installation engineer /

Model /

Serial number /

Year of manufacture /

Date of purchase /

Notes /

---

---

---

---

---

---

---

---

## Introduction for users

BraunAbility Europe AB would like you, as a user, to feel secure and comfortable with your new product. For that reason, it is your installer's duty to go through the following with you /

Safety  
Operation

If any questions about the product should come up later on, you are of course very welcome to contact your installation engineer again.

The above chapters have been gone through /

Date /

Name of dealer /

\_\_\_\_\_  
Signature, installation engineer

\_\_\_\_\_  
Signature, user





# Product certificate

## Manufacturer /

BraunAbility Europe AB  
Åkerivägen 7  
443 61 Stenkullen  
Sweden

Phone: +46 302 254 00  
E-mail: [info@braunability.eu](mailto:info@braunability.eu)  
[www.braunability.eu](http://www.braunability.eu)

## Declares that the product /

Carony, model classic 12/24, Fixed, Kids

## Conforms to following directives, standards and regulations /

2006/42/EEC, 2007/47/EEC  
LVFS 2003:1  
ECE R-10  
ECE R-17 rev 5 (incl supplement 08)  
ECE R-21  
ECE R-25  
EN 12182  
EN 12183  
ISO 3795  
ISO 7176: 1-19  
ISO 10542  
ISO 8191-1  
ISO 8191-2

BraunAbility Europe AB, Stenkullen  
2019-04-02



Jan M Jensen  
Managing Director





Accredited by SWEDAC as testing laboratory in accordance with ISO/IEC 17025:2005  
Quality system certified in accordance with ISO 9001:2015

Illustrations, descriptions and specifications in the user manual are based on current product information.  
BraunAbility Europe AB reserves the right to make alterations without previous notice.  
© 2019 BraunAbility Europe AB



BraunAbility Europe AB  
Åkerivägen 7  
443 61 Stenkullen  
Sweden

Phone: +46 302 254 00  
E-mail: [info@braunability.eu](mailto:info@braunability.eu)  
[www.braunability.eu](http://www.braunability.eu)

